

- When Ordering, Specify:
 1. Ordering Code Number
 2. Size of Valve
 3. Type Number
 4. Model shown on Nameplate

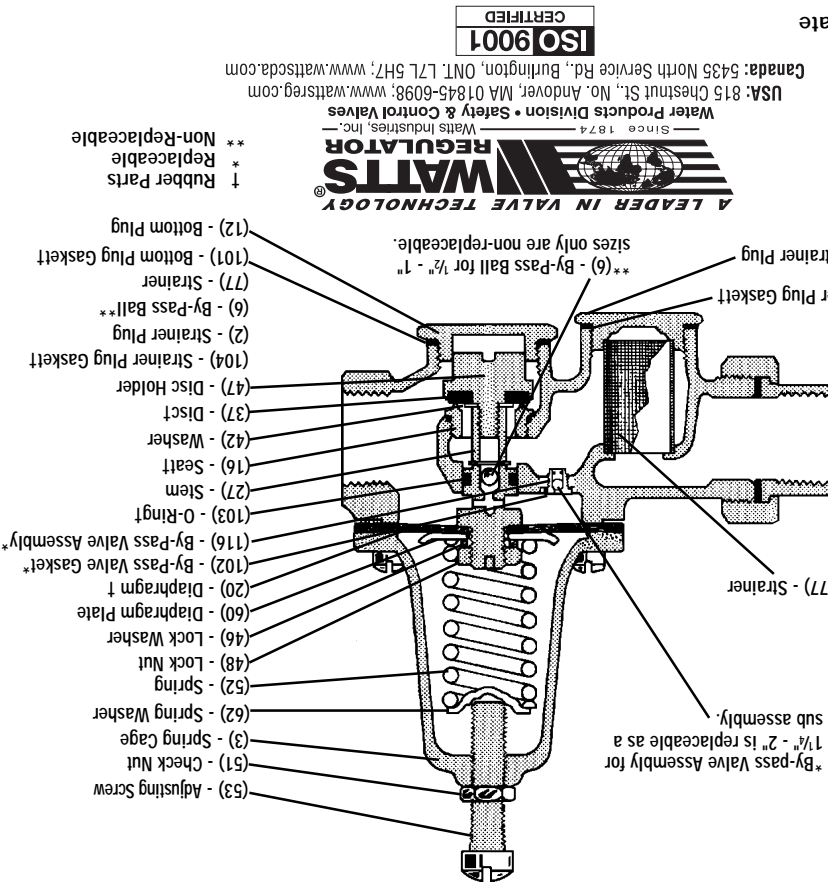
Ordering Code No.	Kit No.	Size Inches
0864941	1/2" 25AUB-RK	1/2
0864943	3/4" 25AUB-RK	3/4
0864942	1" 25AUB-RK	1
0864944	1 1/4" 25AUB-RK	1 1/4
0864945	1 1/2" 25AUB-RK	1 1/2
0864946	2" 25AUB-RK	2

† Kit for No. 25AUB includes all items shown above.

Repair Kits

- To clean strainer; remove strainer plug (2), remove and clean strainer.
- To replace seat disc; shut off supply, loosen nut (51) and back off adjusting screw (53) remove spring cage (3), spring (52) and washer (62). Remove bottom plug (12) and gasket (101). Insert and hold screw driver in slot on top of stem while loosening seat disc holder (47) from bottom of stem (27).
- To replace diaphragm; loosen lock nut (48) and remove lock washer (46), diaphragm plate (60) and diaphragm (20).
- When reassembling apply a drop of low strength thread lock to disc holder.
- Inspect all water system safety and control valves annually.

Maintenance Instructions

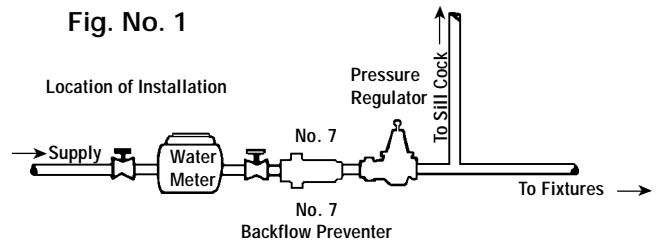


Series 25AUB Installation Instructions

IS-25AUB

- Flush dirt and scale from supply pipe.
- Install regulator vertically or horizontally (upright or inverted), but the regulator must be installed with the arrow in the direction of flow.
- Regulator is preset at 50 psi. To adjust, loosen locknut and turn adjusting screw clockwise to increase, counterclockwise to decrease.
- This regulator has a built-in thermal expansion bypass. If the inlet pressure is higher than the discharge setting of the water heater (typically 150 psi) or if there is a check valve or backflow preventer installed on the line, you must make provisions for pressure relief protection to protect your plumbing system and its components. We suggest the use of a model DET expansion tank, the Watts Governor 80 ball cock and thermal expansion relief valve, or a 530C calibrated pressure relief valve. (Send for folder F-RV, S-Therm Expansion, or consult your plumbing professional).

Fig. No. 1



WARNING: Conduct a thorough inspection of the valve for external leaks after the "final" installation and setting of the regulator.

LIMITED WARRANTY: Watts Regulator Company warrants each product against defects in material and workmanship for a period of one year from the date of original shipment. In the event of such defects within the warranty period, the Company will, at its option, replace or recondition the product without charge. This shall constitute the exclusive remedy for breach of warranty, and the Company shall not be responsible for any incidental or consequential damages, including without limitation, damages or other costs resulting from labor charges, delays, vandalism, negligence, fouling caused by foreign material, damage from adverse water conditions, chemicals, or any other circumstances over which the Company has no control. This warranty shall be invalidated by any abuse, misuse, misapplication or improper installation of the product. THE COMPANY MAKES NO OTHER WARRANTIES EXPRESS OR IMPLIED EXCEPT AS PROVIDED IN THIS LIMITED WARRANTY.

CALIFORNIA PROPOSITION 65 WARNING
WARNING: This product contains chemicals known to the State of California to cause cancer and birth defects or other reproductive harm.
 (Installer: California law requires that this warning be given to the consumer.)